



**CAUGHT OFF THIRD**

NEW YORK—New York Yankees Bill Skowron dives back to third base but Detroit Tigers' third baseman Reno Bertola gloves peg in time to make the tag in second inning of game at Yankee Stadium June 19th. Skowron was caught when Tom Sturdivant attempted

to bunt but pitcher Duke Maas pitched out and catcher Frank House threw to Bertola.  
(AP) Wire Photo.

**BASEBALL ROUNDUP**

**SATURDAY National League**  
Pgh 100 000 110 00—3 10 6  
Cin 000 100 200 03—6 6  
Law, Arroyo (7) Purkey (11)  
B. Smith (11) and Folles; Gross, Lawrence (1) and Bailey.  
W: Lawrence; L: Purkey; HRs: Pli - Clemente, Mazerowski; Clin-Hoak, Crowe, Robinson, Post.  
Philadelphia 100 200 010—4 7 4  
Milwaukee 001 100 000—2 6 0  
Sanford and Lopata; Trowbridge, Johnson (5v.22pob)(8) and Sawatski.  
L: Trowbridge. HR: Pha-Lopata.  
Brooklyn 004 000 002—6 9 2  
St. Louis 000 100 210—4 10 2  
Newcombe, Labine (9) and Campanella; Schmidt, Wehmeier (3) Mizell (8) Wilhelm (9) and Landrith.  
C: Newcombe; L: Mizell. HRs: Bks-Hodges; STL-Moon, Musial.  
New York 210 001—4 7 2  
Chicago 203 232—12 16 2  
(Called end of 6 innings, rain)  
Gomez, Worthington (3), Davis (5), Monzant (5) and Katt) Pohlak and Neeman.  
L: Gomez. HRs: Chi - Tanner, Long.  
**American League**  
Chi 032 000 000 000—5 6 0  
NY 20 002 100 000—1—6 11 2  
Harshman, Howell (3) Lapalme (9) and Battey, Moss (8); Dittmar, Larsen (2) Byrne (5) and Berra.  
W: Byrne; L: Lapalme. HRs: NY-Manlie, Skowron, Berra.  
Kansas City 000 001 000—1 6 1  
Boston 104 000 00x—5 9 2  
Portocarrero, Gorman (3) and Smith; Fornieles and White.  
L: Portocarrero. HRs: KC-Martin; Bos-Malzone.  
Cleveland 000 610 000—7 8 1  
Washington 100 000 000—1 5 0  
Lemon and Brown; Pascual, Hyde (4) Hernandez (9) and Berberet.  
L: Pascual.  
Det 000 000 001 000—1—2 8 0  
Bal 000 000 010 000—0 15 1  
Foytack, Lary (13) and Wilson, House (9); O'Dell, Zuverink (9) and Ginsberg.  
W: Foytack; L: Zuverink. HR: Bal-Busby.  
**International League**  
Rochester 00 000 100—1 5 2  
Richmond 000 110 01x—3 11 0  
G. Blaylock and Shantz; Wiesler and Watlington. W: Wiesler.  
Montreal 100 000 410 0—6 13 2  
Miami 010 200 210—1—7 13 2  
Grob, Kipp (7) Harris (7) and Pignatano; Bunker, Semproch (7) Anderson (7) Paige (8), Hunsinger (9) and McCullough. W: Hunsinger.  
Toronto 200 000 000—2 8 0  
Havana 000 000 000—5  
Johnson and Rosselli; Santiago; Pena (1) Cuellar and Sierra.  
W: Santiago. 20 000 000—2 8 0  
Havana 000 000 000—0 5  
Johnson and Rosselli; Santiago; Pena (1) Cuellar and Sierra.  
W: Santiago. 10 000 000—1 5 2  
Buffalo 900 122 00x—5 10 0  
Columbus 000 000 000—0 5  
Douglas and Kravitz. W: Douglas.

whine and limp around with a blister on a toe, or grunt and groan with lumbago or a touch of rheumatism.  
It is an odd commentary on baseball that the heavier, muscled, closely-knit athletes are more susceptible to injuries and ailments than their wispy, apparently fragile coworkers.  
A skinny, reedy guy like Marty Marion, playing at a position where the danger of bodily injury lurks on every double play, could go on and on, with only occasional absences from the lineup.  
Phil Rizzuto, practically a little leaguer in physique, was as durable as a diamond. Red Schoendienst, loose-jointed and willowy, goes on day after day.  
Big Klu is typical of these big guys. He could move a barn with one hand, but a sudden movement is liable to pull a tendon, strain a ligament or slip a disc.  
And the injuries don't show, but you know they are there. Looks as though Klu will have to waste away to 200 pounds and go around wearing a cast to get any sympathy.



**HOTEL MANAGER**

J. Frank Pellerin, newly appointed manager of the Charlot-town Hotel. Widely known and popular in the hotel business, Mr. Pellerin has served as relieving manager of the Charlot-town on numerous occasions, as well as at the Newfoundland Hotel. He joined the Canadian National Hotels chain in 1932, and from 1946 to 1955 was manager of the com-

**TEN MINERS KILLED**  
TOKYO (Reuters)—Ten miners were reported to have been killed Saturday in a gas explosion in a coal mine near Akahira in north Japan.

pany's Pictou Lodge in Nova Scotia. He comes to Charlot-town from Halifax, where he was assistant manager of the big Nova Scotian Hotel.

**4 Johnson TAKE-ALONG outboard motors**

10 H.P.  
7 1/2 H.P.  
5 1/2 H.P.  
3 H.P.

**-easily stowed as a picnic basket!**

Designed for constant family use and perfect for rental or car-top boats, these handy motors tuck easily into the car trunk. All feature Johnson years ahead features, including new slip-clutch propeller protection. These portable packages of power are ready for fun afloat—anywhere!

Ask your dealer about time payments. You'll find him listed under "OUTBOARD MOTORS" in your telephone directory.

**SPORT FROM BRITAIN**

**Little West Indian Bowler Has Fearsome Reputation**

By ED SIMON  
Canadian Press Staff Writer  
LONDON (CP)—During the first England-West Indies test match at Edgbaston play had to be stopped while police shoed a flock of youngsters off the field. In their zeal, the officers nearly chased a small figure in the crowd flannels in to the stands with them.  
Apart from his slightly expanding girth K. T. (Sonny) Ramadhin, at 27, still could be taken for a high school cricketer rather than the unchallenged leader of the West Indies attack and one of the most devastating spin bowlers in the world.  
But the little man's infectious grin is lost on opposing batsmen. With his shirtsleeves invariably buttoned at the wrists and a cap hiding any telltale glint in his eyes, he mesmerizes them on his best days. Even when his magic isn't working, his most harmless delivery is eyed with deep suspicion.

**WICKETS TUMBLE**  
In the Edgbaston match Ramadhin dismissed seven of England's lustiest hitters for 49 runs in a devastating first innings for the best analysis of his career. England saved a draw with a mammoth fourth-wicket stand of 411, mostly off Ramadhin's bowling, in the second innings although Colin Cowdrey, who shared the partnership with Peter May, said he continued to have trouble with Ramadhin's deliveries to the last.  
By way of emphasis, Ramadhin returned the following week to take 11 wickets for 70 runs in a match against Glamorgan, one of the higher ranking county sides.  
Ironically, Ramadhin's mastery appears to be limited to English sides. The Australians have hit him freely in two test series and even the low-rated New Zealanders slammed him vigorously last winter.  
But cricket observers feel that the only thing to stop the little man this summer is the lack of a capable partner. Alf Valentine, who alternated with him in confounding English batsmen in the last two test series, has been ineffective this season and the younger West Indian bowlers lack Ramadhin's cunning. The burden of doing the whole job virtually by himself may be too much for him.

**EXPERIENCED PLAYER**  
Ramadhin built a fearsome reputation among English cricketers when he arrived as a 19-year-old rookie with the first West Indies touring side in 1950 and proceeded to capture 26 test wickets with a baffling variety of pace and spin.  
He did it again on England's West Indies tour in 1953-4, adding another 23 wickets for the outstanding performance of a bowler on either test side.  
The long sleeves and the cap are designed to conceal the ball from the batsmen till the last possible moment by minimizing the contrasting color along its line of flight. For the same reason, Ramadhin bowls wherever possible against a background unprotected by a sight screen.  
There is consciously diametric air about the little man as he moves in to take over the bowling. Once in position he peers under the brim of his cap and delivers his over with a minimum of delay.

**STIFFER DRIVING TESTS**  
QUEBEC (CP)—Quebec City's highway safety committee favors stricter tests before issuance of drivers' permits and has called for compulsory examination or test every five years and a new test of a driver immediately after he is involved in an accident.  
**ALCOHOLISM UP**  
PARIS (Reuters)—The number of deaths from alcoholism in France has increased more than in fold in 10 years. A report said 481 died from addiction to alcohol in 1946 and 5,977 last year.

**Remember When**

A world running-horse record for 1 1/4 miles was set by Noor, the Irish-bred colt bought by the late C. S. Howard form the Aga Khan, at Golden Gate, Calif., seven years ago today. Noor, a five-year-old, covered the route in one minute, 58 1-5 seconds. Just a week earlier Noor had set a mark of 1:46 4-5 to the mile and an eighth.

**SNOW IN SUMMER**

LONDON (AP)—Britain, which basked in heat for weeks, marked the first full day of summer Saturday with rain storms and even some snow. The snow fell on the northern English coastal resort of Whitby but never settled on the ground.

**REJECTS CHARGES**

LONDON (Reuters)—Britain Friday announced the withdrawal of the chief of her military mission in East Germany but rejected "absurd petty charges" made against him by Russia. Soviet authorities had accused Brig. Charles Wynn-Pope of "rudeness" and of traffic violations.

**SPORTS TRAIL**

**Bigger Heavier Baseball Players Get Hurt Worst**

NEW YORK (AP)—We watched Ted Kluszewski try to play first base for Cincinnati Redlegs the other night and by the time we were through we had vague aches and pains in our back ourselves. The big guy was in such obvious misery it was contagious. You could tell that every time he made a sudden turn or bent over it was as if someone was sticking him with a stiletto, and at that he was only a feeble echo of the Kluszewski whose bat has thundered home runs.  
There was something poignant in the picture, too. Here is a man so tremendously strong, so apparently vibrant with health, that he looks like one of the "after" pictures in a body-building ad.  
He has a physique to envy, no doubt about that, and for this very reason he gets a tough rap from the fans. No blood is showing, no broken bones apparent, so the thoughtless can't see why a big, strong-as-an-ox man can't get out there and play a game such as baseball.  
They forget how they themselves

are hurt. They forget how they themselves

**DID YOU KNOW?**  
Canada's finest photo finishing is available at  
**THE JENKINS PHARMACY**  
Right here in Charlot-town  
Dated embossed snapshots in pocket wallets

**TV PROTECTION CONTRACT**

This contract for 95c per week provides service with all parts supplied including picture tube. Why miss your favorite program for lack of service this protective contract can give you?

For further information  
**DIAL 9624**  
**BOWLAN RADIO and TV**  
POWNAI STREET

**RACING TONIGHT**



**4-5-B PACE** 1 DASHES AT \$175.00 EACH  
1, Jolly Dick; 2, Money Royal; 3, Prudence Hy; 4, My Darling; 5, Cooly Boy; 6, Eva Budlong.

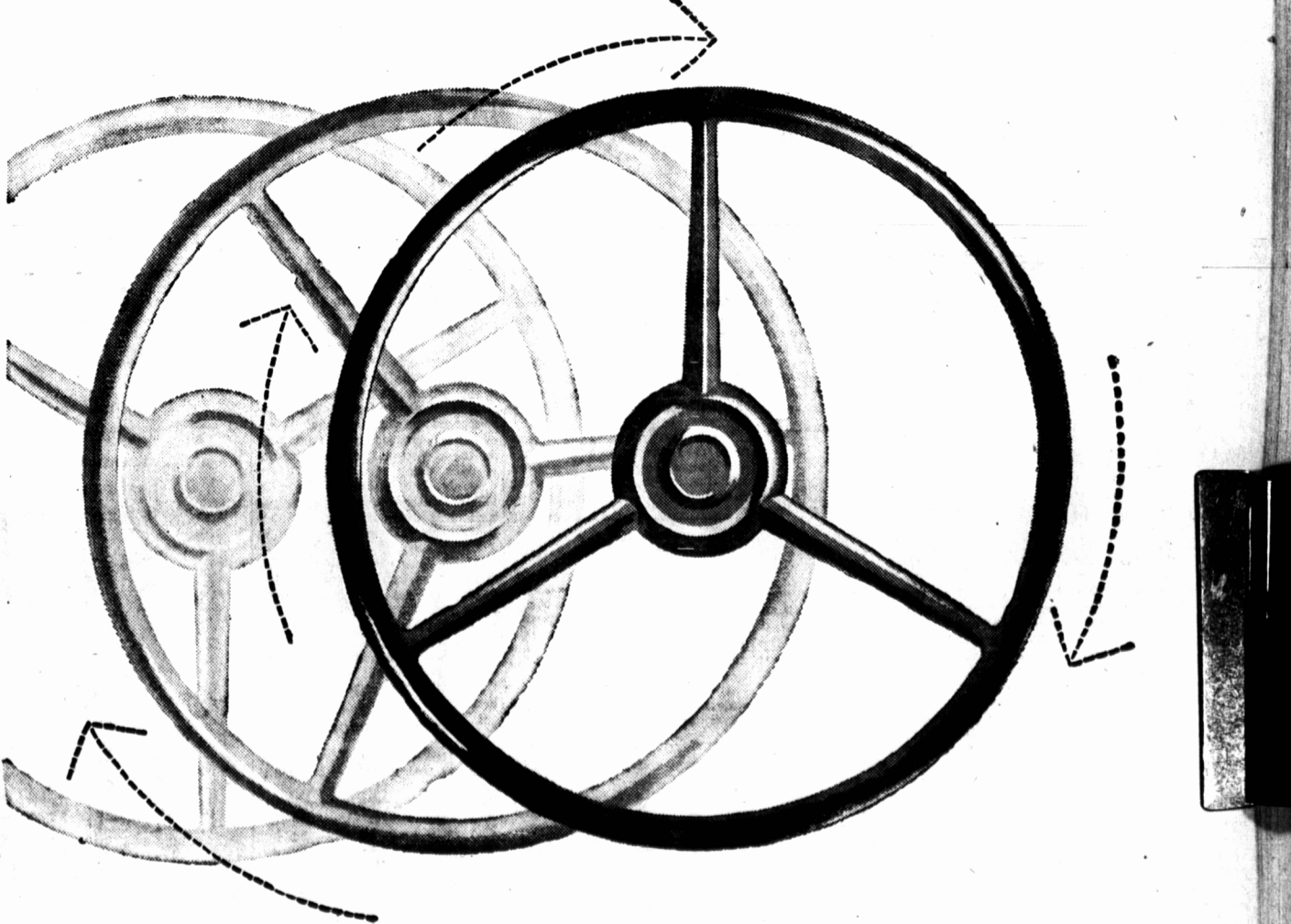
**2-7-C PACE DAILY DOUBLE** 2 DASHES AT \$150.00 EACH  
1, Ja's Goldie; 2, Vera Signal; 3, Ralph Hal; 4, Sandy Yorke; 5, America's Ace; 6, Lana Dale; 7, Jenny Lee; 8, Ken's Pride.

**NO. 2-B TROT DAILY DOUBLE** 1 DASH AT \$150.00  
1, The Sheik; 2, My Hero; 3, Colonel Budlong; 4, Connie French; 5, Baby Train; 6, Miss Russell; 7, All Budlong; 8, Fortune's Pride. Also eligible—Thair's II, Lucky Logan, Edgar D.

**NO. 1-D PACE** 1 DASH AT \$150.00  
1, Ranida; 2, Jolly Mark; 3, Murphy's Abe; 4, Y Not Chief; 5, Kildara Girl; 6, Colonel Henry; 7, Allie Budlong; 8, Pericles. Also eligible—Kitty McKay.

**5-8-C PACE** 2 DASHES AT \$150.00 EACH  
1, Captain Morgan; 2, Esso; 3, June Breeze; 4, C. P. Clegg; 5, Marion E.; 6, Johnnie Jester; 7, Pepper Clegg; 8, Hum Dale. Also eligible—Fairgo, Ten Spot.

**CHARLOTTETOWN DRIVING PARK**  
**FIRST DASH 8:15**



right turn...right service!  
you'll see our **ESSO** signs everywhere

We doubt very much whether you can use up a tankful of gas and not see our sign on the way. As Imperial Esso dealers we have found thousands and thousands of motorists feel the same way when our Esso sign comes into sight: the place to pause, refuel, and renew the drivability of their cars. Next time you see us, come in for whatever you need.

**NEW!**  
Car-Check remembers for you the regular services your car needs when they're due—when to have tires rotated, battery checked, etc. Your Car-Check card shows when important car maintenance services are done, when they're due again. It's simple, fast, costs you nothing extra. Get Car-Check Service wherever you see this sign.

have you tried our kind of service?



ALWAYS LOOK TO IMPERIAL FOR THE BEST